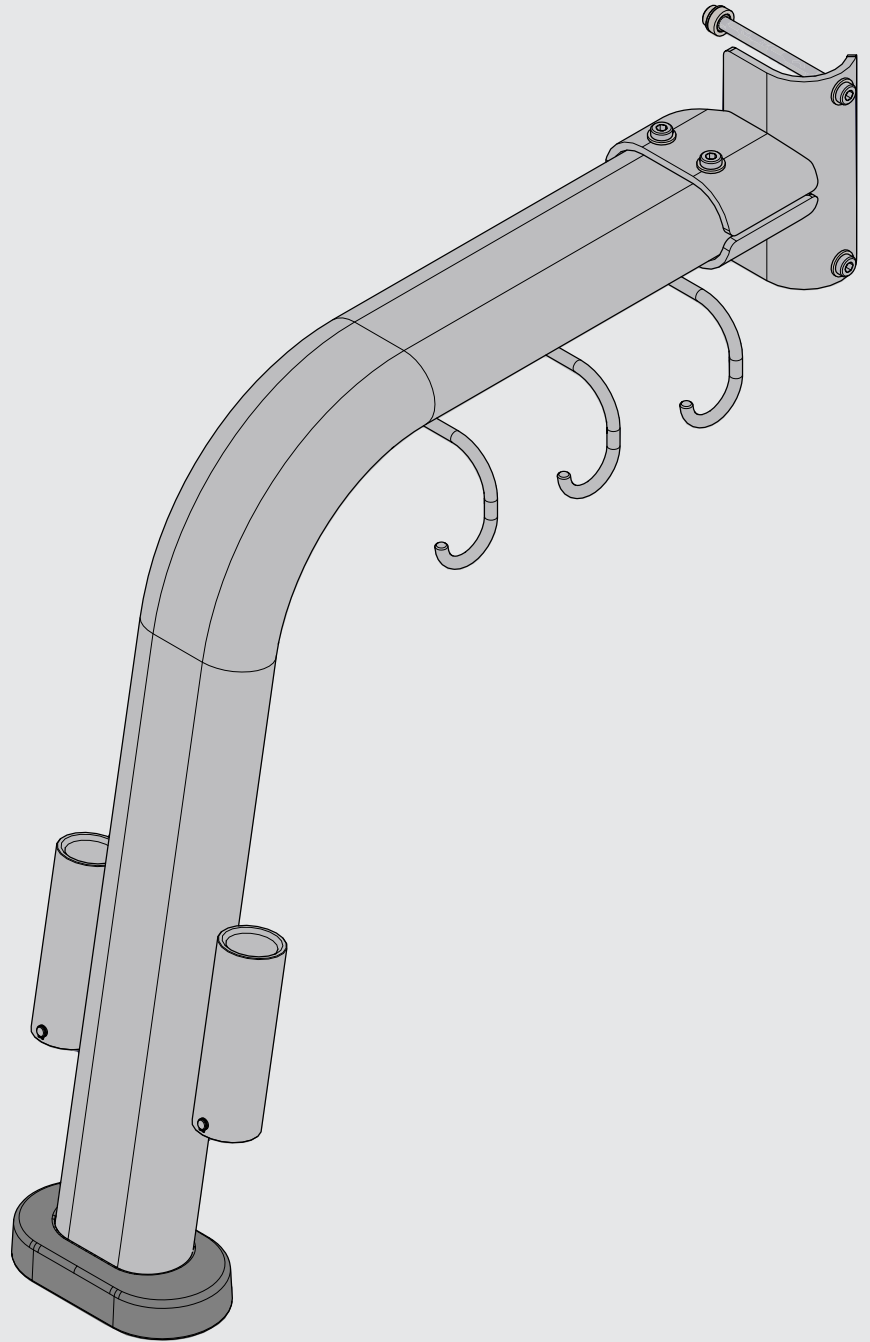


Signature Series Multi-Jungle Handle Accessory Rack MJHAR

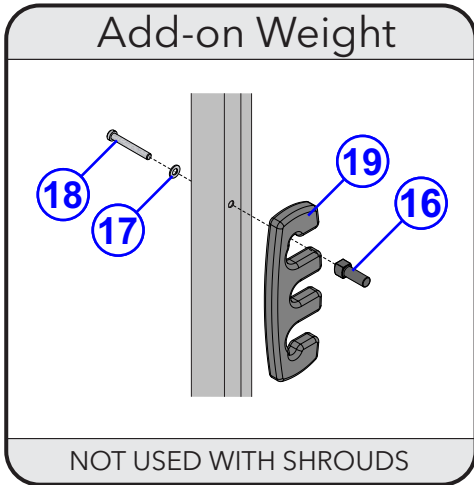
Parts Manual



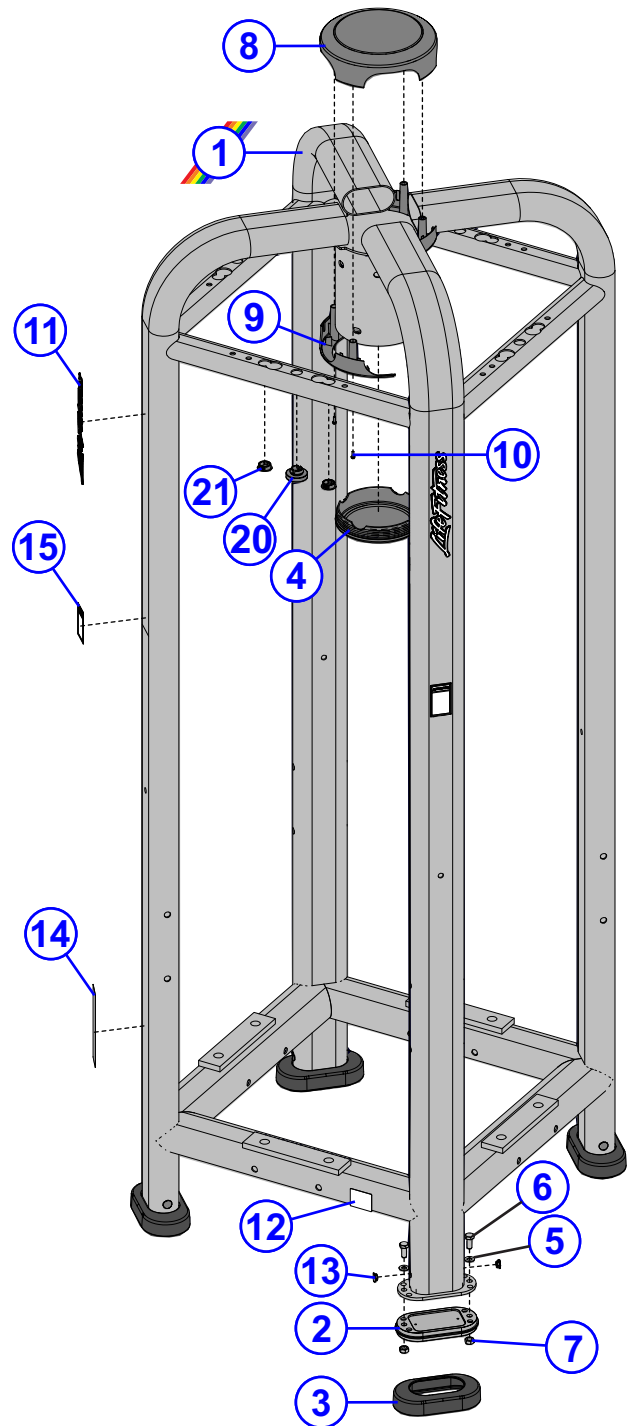
MJHAR - Handle Accessory Rack Contents



MJCORE Assembly	3
Painted Frame Weldments	4
Component Assembly	5
Component Assembly Table	6

MJHAR - Handle Accessory Rack MJCORE Assembly



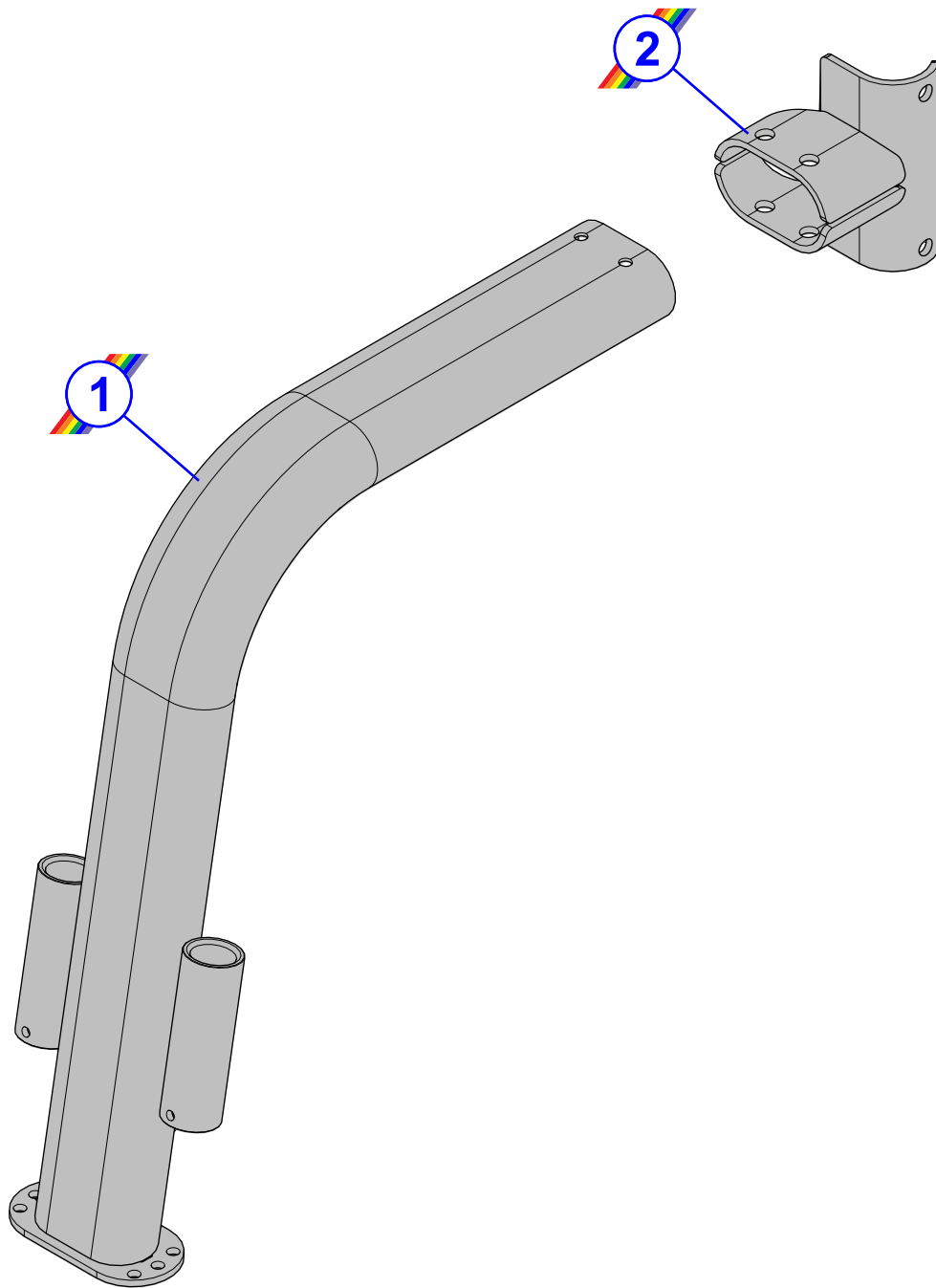
ITEM NO.	QTY.	PART NO.	DESCRIPTION
1	1	1068329-0000	WLDMT, MJCORE
2	4	7334001	FOOT, 2.50 X 4.49 FLOV
3	4	7340201	COVER, FOOT - STRAIGHT
4	1	7640401	COVER, BOTTOM CAP
5	8	3236601	WASHER, 3/8 SAE SS
6	8	3251202	SCREW, M10 X1.5 X 25MM UNS HEX CS ST ZN
7	8	3254703	NUT, M10 X 1.5 HEX ZINC
8	1	7629201	COVER, CENTER TOP
9	2	7629801	COVER, CENTER BOTTOM
10	4	3236501	M4 X 0.7 PHIL PAN MS ST ZN
11	4	8866901	LABEL, LF LOGO 10" - FLAT (CHROME)
12	1	-	LABEL, SERIAL NUMBER, BLANK
13	8	7646801	PLUG, CURVED HOLE
14	1	82200XX	LABEL, ASTM WARNING SELECT
15	3	91411XX	LABEL, WARN, STRAP TRAIN
16	1	7401701	COVER, PLASTIC PEG 2.25" -SG
17	1	3236601	WASHER, 3/8 SAE SS
18	1	3236212	SCREW, M10 X1.5 75MM
19	1	7711501	WEIGHT, 5 LB. ADD-ON
20	4	7642301	BUMPER, CM/MJ/OSDAP, PLUG
21	8	3237403	PLUG, 1 IN HOLE



NOTE:  Indicates color item
 Indicates language item

MJHAR - Handle Accessory Rack

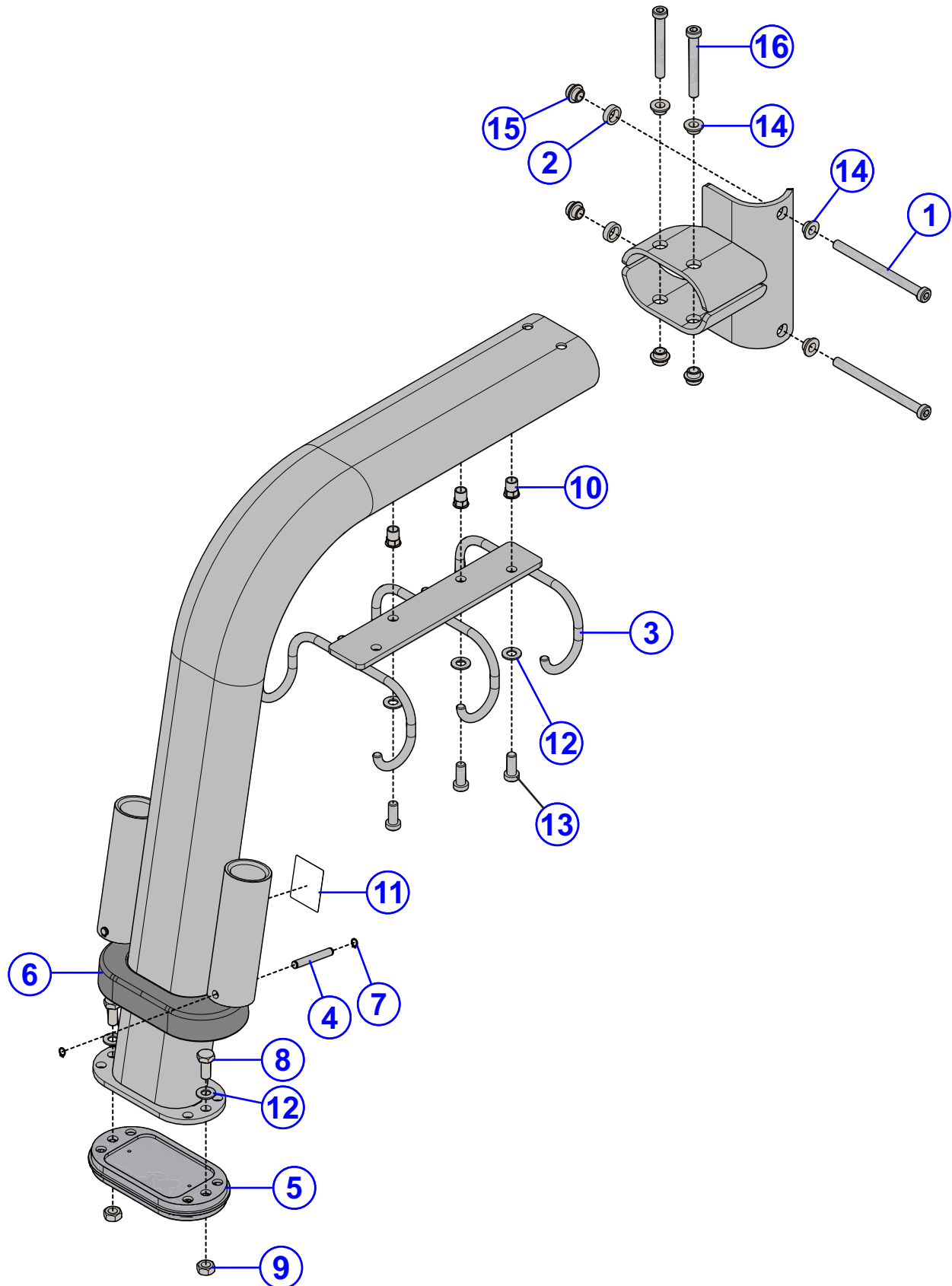
Painted Frame Weldments



ITEM NO.	QTY.	PART NO.	DESCRIPTION
1	1	8033801	WLDMT, MJHAR FRAME
2	1	8034101	WLDMT, MJHAR CONNECTOR

NOTE:  Indicates color item

MJHAR - Handle Accessory Rack Component Assembly



See page 6 for table

MJHAR - Handle Accessory Rack Component Assembly Table

ITEM NO.	QTY.	PART NO.	DESCRIPTION
1	2	3236220	SCREW, M10 X1.5 130MM
2	2	7634701	SPACER, CM/MJ, .565 X .815
3	1	8038201	WLDMT, MJHAR HOOK
4	2	8047801	SHAFT, MJHAR BAR HOLDER
5	1	7334001	FOOT, 2.50 X 4.49 FLOV
6	1	7419701	COVER, FOOT 10 DEG
7	4	3232403	RNG, BRE .290,5100-31,ST,PP,B
8	2	3251202	SCREW, M10 X1.5 X 25MM UNS HEX CS ST ZN
9	2	3254703	NUT, M10 X 1.5 HEX ZINC
10	3	3238601	M10X1.5 BLIND THREADED INSERT (HEX)
11	1	-	LABEL, SERIAL NUMBER, BLANK
12	5	3236601	WASHER, 3/8 SAE SS
13	3	3236202	SCREW, M10 X1.5 25MM
14	4	7630101	RETAINER, CM/MJ PULLEY
15	4	7335401	NUT, M10 X 1.5 SOCKET HEAD
16	2	3236213	SCREW, M10 X1.5 80MM